

RPB Racing Pedal Box

Tuning Parts Ltd.
The Performance Shop

RPB Pedal Box presents an optimum design for race cars like prototypes, buggies, formulas, etc. It is designed to be fixed directly to the floor or on guides to adjust the position for different drivers. Manufactured with steel welded parts, with a lightweight design to improve the stiffness – weight ratio.

Features:

- The throttle pedal has an adjustable wire mechanism. The rotation angle and the wire stroke are adjustable.
 - The brake pedal has double master cylinders and balance bar. The pedal ratio is 5:1.
 - All the pedals have anti-slip surface.
 - The pedal axes are manufactured with high quality steel to guarantee the maximum stiffness.
- Thanks to the nut torque adjustment it is possible to regulate the lateral movement of the pedals.
- All the components have anticorrosion coating to allow The maximum durability.
 - The footrest support allows a comfortable driving position.
 - The master cylinders connections are 5/16" - 24, for Wilwood or Girling master cylinders.
 - **Master cylinders not included.**

All Prices are in Euro VAT excl.



Kit Car Pedal Box

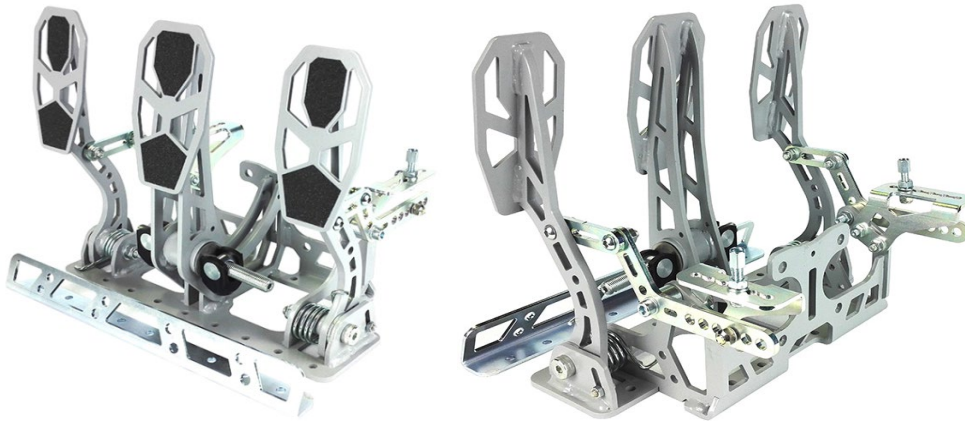
HYDRAULIC CLUTCH

Weight:

- without master cylinders: 3.25 kg
- with master cylinders: 4.45 kg

Product Code: RPB0001

Price (EUR): 305.79



Kit Car Pedal Box

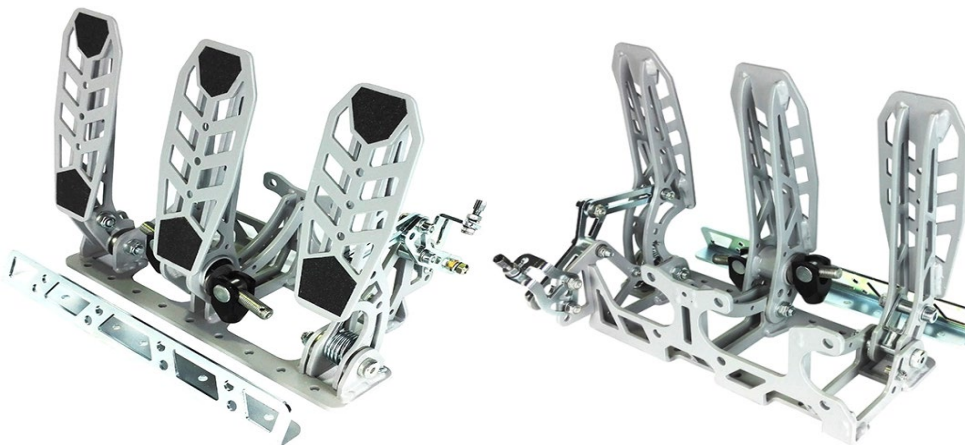
(CABLE CLUTCH)

Weight:

- without master cylinders: 3.60 kg
- with master cylinders: 4.40 kg

Product Code: RPB0002

Price (EUR): 305.79



DRIFTING & RALLY Pedal Box

HYDRAULIC CLUTCH

Weight:

- without master cylinders: 3.40 kg
- with master cylinders: 4.60 kg

The pedals have a wide surface to improve the driving and ease the pedals combinations.

Product Code: RPB0003

Price (EUR): 322.31

All Prices are in Euro VAT excl.

DRIFTING & RALLY Pedal Box

CABLE CLUTCH

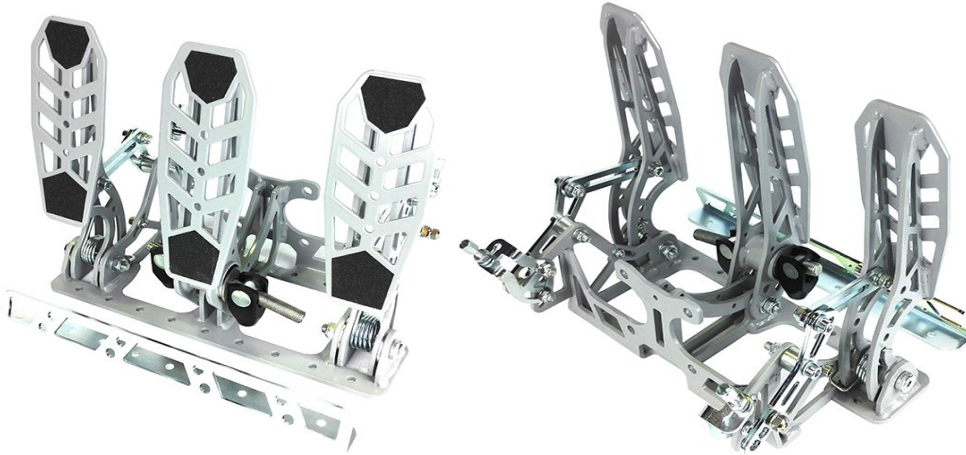
Weight:

- without master cylinders: 3.55 kg
- with master cylinders: 4.35 kg

The pedals have a wide surface to improve the driving and ease the pedals combinations.

Product Code: RPB0004

Price (EUR): 322.31



CAR CROSS Pedal Box

HYDRAULIC CLUTCH

Weight:

- without master cylinders: 3.15 kg
- with master cylinders: 4.05 kg

The master cylinders connections are M8, for motorcycle master cylinder types.

Product Code: RPB0005

Price (EUR): 305.79



REVERSE Pedal Box

HYDRAULIC CLUTCH

Weight:

- without master cylinders: 3.50 kg
- with master cylinders: 4.60 kg

The master cylinders not included !

Product Code: RPB0007

Price (EUR): 322.31

